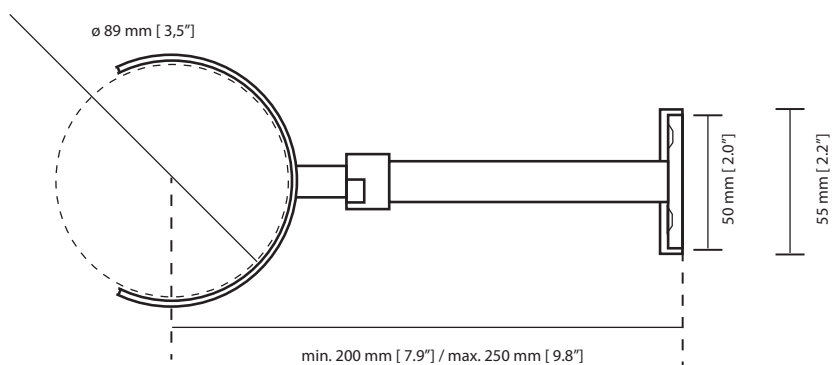





JEE-O fatline wall bracket specifications



Article code: 201-6000
Material:  Brushed
Stainless Steel r304
Cleaning instructions: download JEE-O shower and taps manual on our website: www.jee-o.com

Dimension package: L 25 x W 15,5 x H 14 cm
Total weight: 0.4 kg
Package weight: 0.1 kg

7 year warranty - The general conditions can be found on our website: www.jee-o.com/downloads

HS code: 84818011900