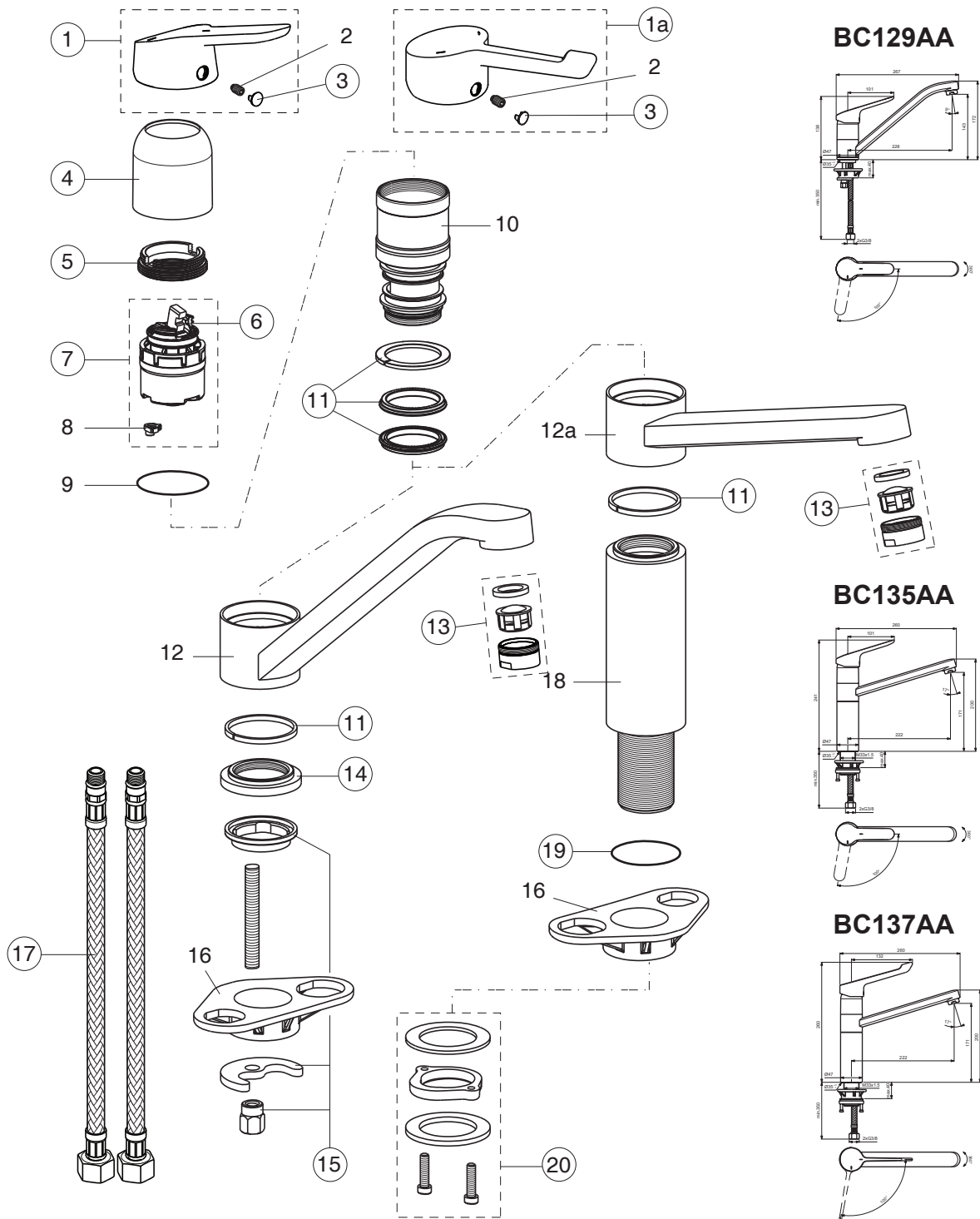




CERAFLEX

Ideal Standard



Pos.	Signify	Spare parts-Nr.	Quantity	Pos.	Signify	Spare parts-Nr.	Quantity
1	Lever, w/logo-set	B961461AA	1 Pcs.	13	Neop.casc.M24x1-A	A960321AA	1 Pcs.
1a	Lever medical, w/logo-set	B961462AA	1 Pcs.	14	Rosette decorative	B961430AA	1 Pcs.
2	Screw M5x8		1 Pcs.	15	Connecting set	A964520NU	1 Set
3	Cap decorative	B960473AA	1 Pcs.	16	U plate support bracket fixing kit		1 Pcs.
4	Rosette	B961431AA	1 Pcs.	17	Flex pexhose G3/8 M10x1/L445mm(for BC129AA)	A963600NU	1 Pcs.
5	Screw M41x1.5/M38x1.5	B961374NU	1 Pcs.	18	Flex pexhose G3/8 M10x1C/8x12/L550	A963685NU	1 Pcs.
6	Hot limit stop	A861181NU	1 Pcs.	19	Distance bushing w/shank	A962574NU	1 Pcs.
7	Cartridge Ø38mm	A861156NU*	1 Pcs.	20	O-Ring Ø37.77x2.62	A960255NU	1 Pcs.
8	Pin		1 Pcs.		Connecting group	B960255NU	1 Set
9	O-Ring Ø39.1x1.3		1 Pcs.				
10	Manifold		1 Pcs.				
11	Sealing set	B960784NU	1 Pcs.				
12	Body kitchen-low		1 Pcs.				
12a	Body kitchen-high		1 Pcs.				

\*Universal set (not all parts needed)