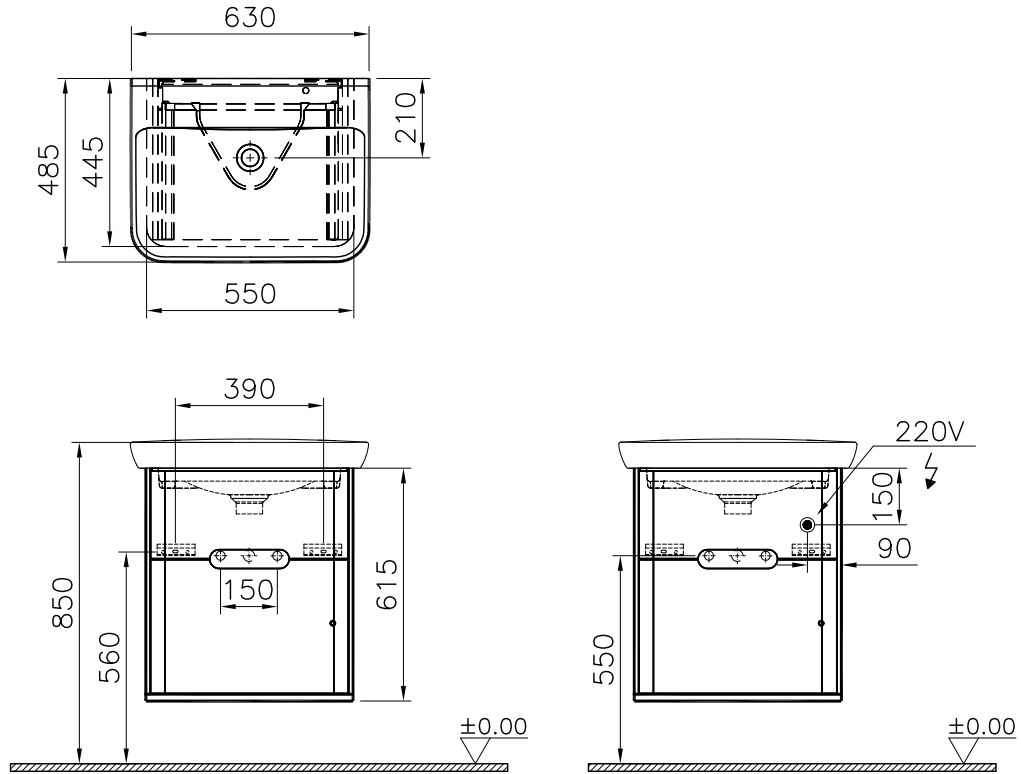



Theoretic Mass(kg)		Revision
Surface Area(dm ²)		A4

Thread	Hole	Shaft



				1		Washbasin Unit		60822			
				item	Quantity	Part Name		Drawing No		Material	
						Series	Material	Material Class			
						SENTO		Washbasin Unit			
				Drawn By	Controlled By		Approved By	Date	Drawing No		Scale
				G.GULTER	M.EVCI		H.ALACA	16.11.2016	60822		1/20
R.S	Description			Date	NAME						

This drawing can only be used for the intended purposes. Unauthorized copying is strictly prohibited.

