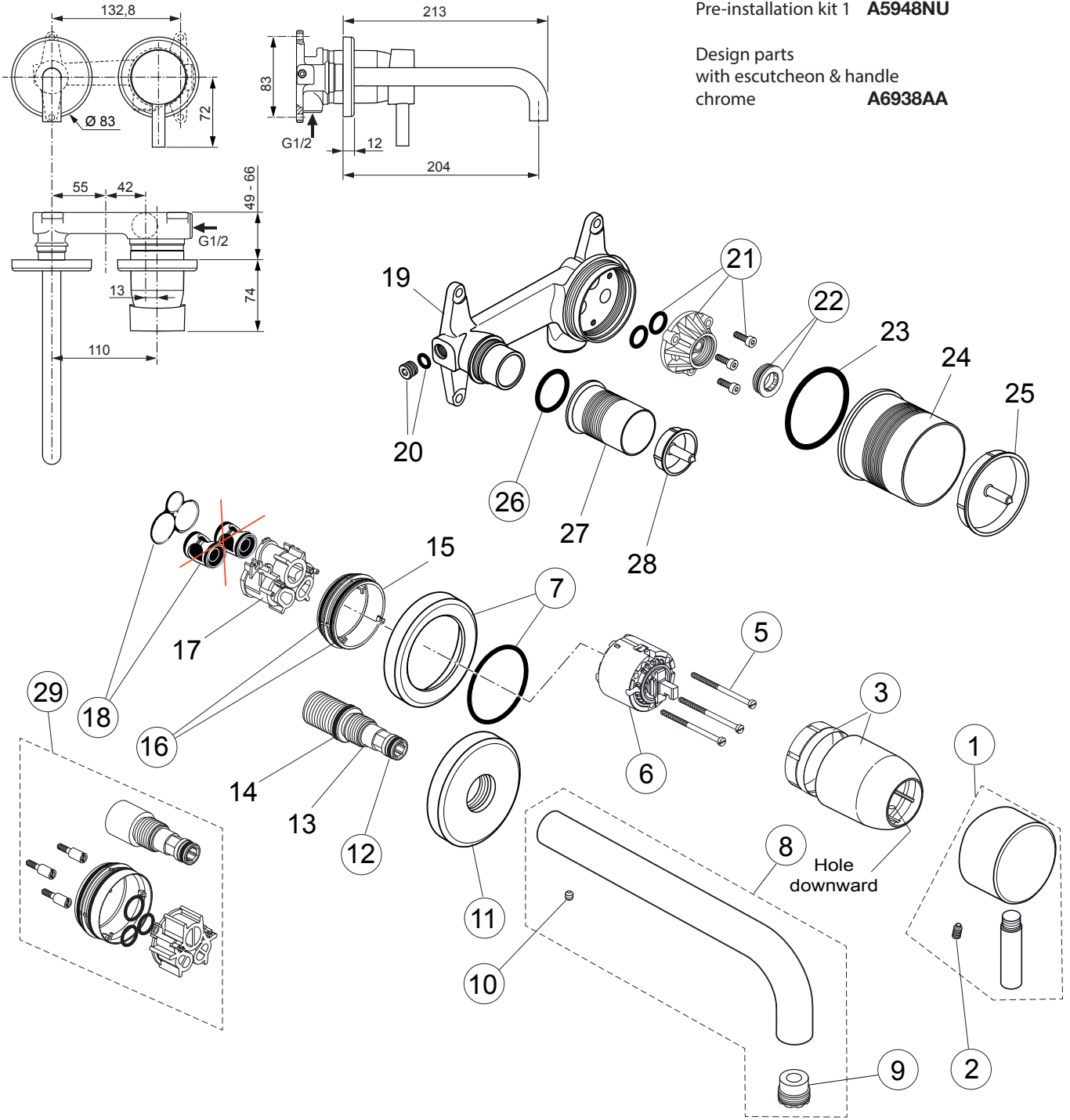


Produced from: **May 2018**

Pre-installation kit 1 **A5948NU**

Design parts  
with escutcheon & handle  
chrome **A6938AA**



Pos.	Description	Part-Number	Qty.	Pos.	Description	Part-Number	Qty.
1	Lever cpl. with Logo ISI	<b>A 962 397 AA</b>	1 Set	17	Plastic insert		
2	Thread pin M5x6 / M4x6	<b>A 963 667 NU</b>	1 Set	18	Low noise insert complete	<b>A 963 524 NU</b>	1 Set
3	Cover cap + clamping ring	<b>A 960 893 AA*</b>	1 Set	19	Body (built-in)		
5	Cylindrical screw M4x69	<b>A 963 783 NU</b>	3 pcs	20	Superior block M10x1		
6	Cartridge	<b>A 960 500 NU*</b>	1 Set	21	Flushing device complete	<b>F 960 881 NU</b>	1 Set
7	Escutcheon Ø83mm			22	Plug with o-ring	<b>A 963 548 NU</b>	1 pcs
8	with O-ring Ø 53,57 x 3,53	<b>F 960 966 AA</b>	1 Set	23	O - ring Ø 54 x 2,5		
8	Spout 204mm projection	<b>A 962 274 AA</b>	1 pcs	24	Plaster guard for cartridge		
9	Aerator M16,5x1	<b>B 960 497 NU</b>	1 Set	25	Cover for pos. 24		
10	Thread pin M4x4 DIN916	<b>A 962 270 NU</b>	1 pcs	26	O - ring Ø 26 x 2,5	<b>A 860 845 NU</b>	1 pcs
11	Escutcheon Ø83mm spout	<b>F 960 967 AA</b>	1 pcs	27	Plaster guard for spout		
12	O - ring Ø 10 x 2	<b>A 963 495 NU</b>	2 pcs	28	Cover for pos. 26		
13	Connector spout			29	Extension kit 20mm longer	<b>F 960 866 NU</b>	1 Set
14	O - ring Ø 19 x 2,5						
15	Plastic ring						
16	O - ring Ø 47,3 x 1,78	<b>A 963 526 NU</b>	2 pcs				

\* Universal-Set (not all parts needed)