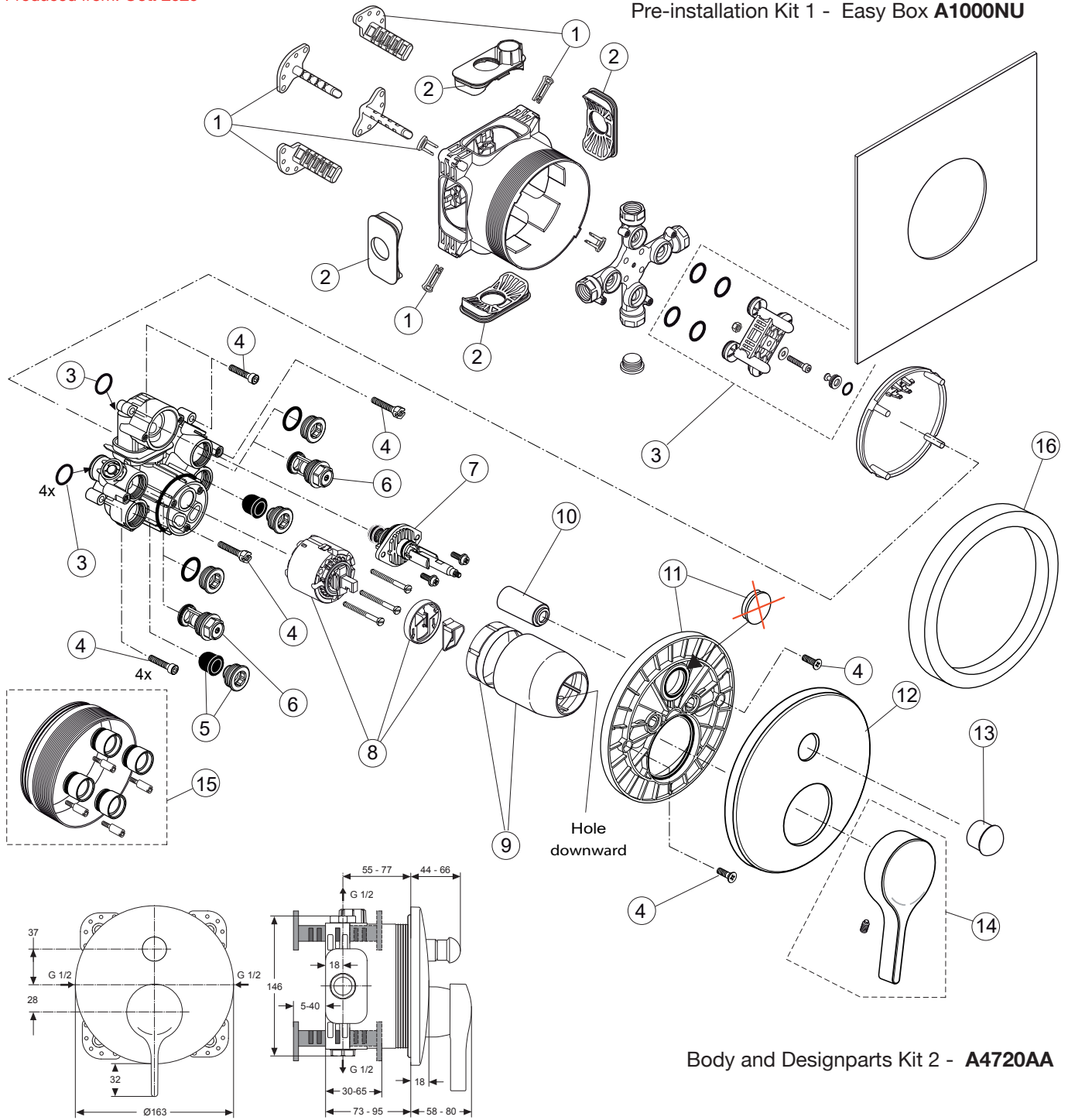


Produced from: Oct. 2020

Pre-installation Kit 1 - Easy Box A1000NU



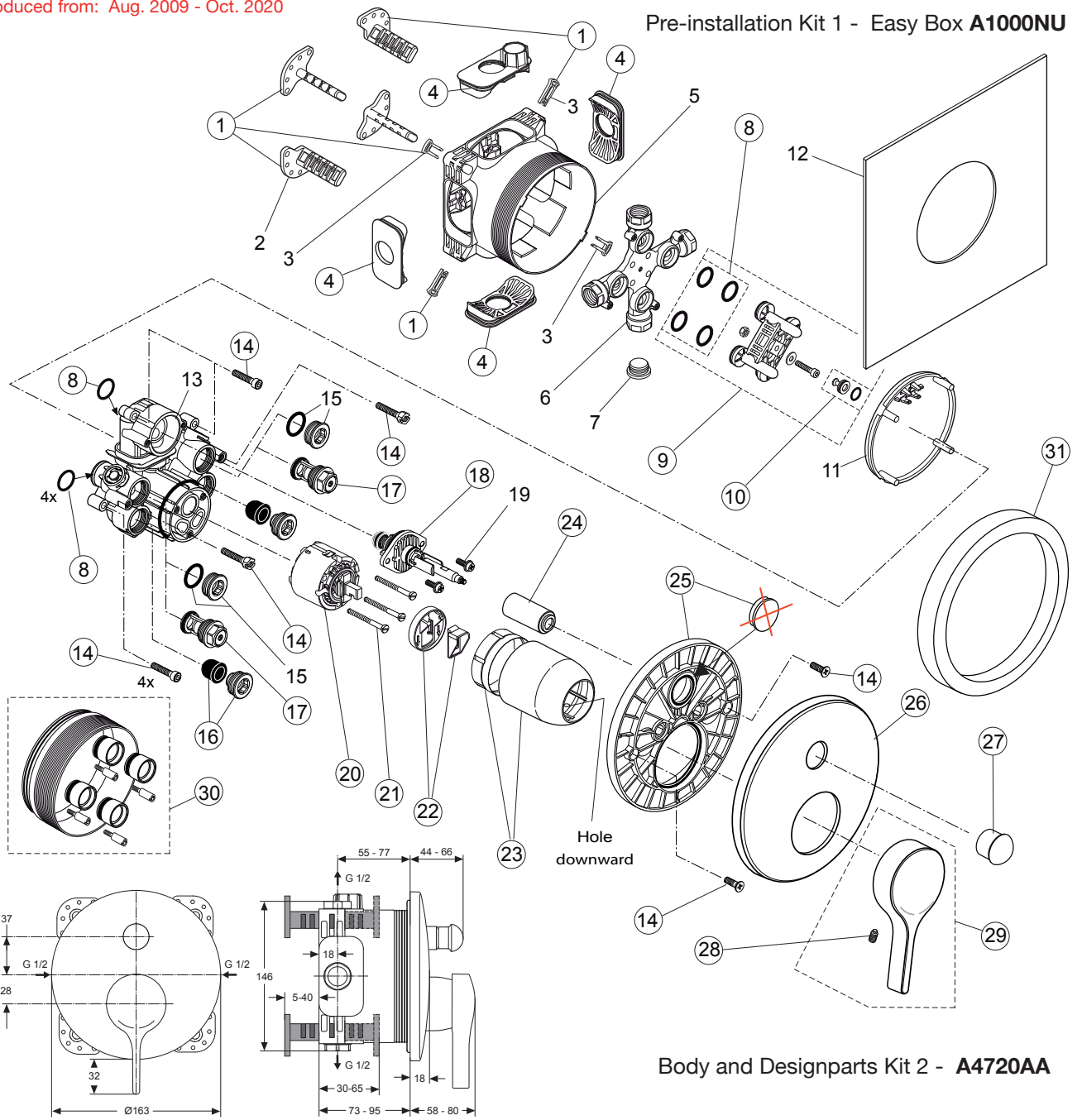
Body and Designparts Kit 2 - A4720AA

Replace XX with the appropriate finish code
chrome = AA,

Example spare part order:
A 960 893 AA in chrome

Pos.	Description	Part-Number	Qty.	Pos.	Description	Part-Number	Qty.
1	Install. depth adjust.	A 963 131 NU	1 Set	13	Pull knob	A 960 897 XX	1 pcs
2	Side sealing	A 963 132 NU	1 Set	14	Lever compl. with Logo ISI	A 962 065 XX	1 pcs
3	Flushing device cpl.	A 963 146 NU	1 Set	15	Extension kit 20mm	A 960 704 NU	1 Set
4	Screw set complete	A 960 890 NU	1 Set		Extension kit 40mm	A 962 476 NU	1 Set
5	Low noise insert	A 960 891 NU	1 pcs	16	Distance frame 20mm	A 960 705 XX	1 pcs
6	Stop valve	A 960 706 NU	2 pcs				
7	Diverter complete	A 963 443 NU	1 pcs				
8	Cartridge with ECO-kit	A 960 500 NU	1 pcs				
9	Cover + clamping + O-ring	A 960 893 XX	1 pcs				
10	Cover / Cap for diverter	A 960 894 XX	1 pcs				
11	Escutcheon holder compl.	A 960 895 NU	1 Set				
12	Escutcheon B/S curved	A 960 896 XX	1 pcs				

Produced from: Aug. 2009 - Oct. 2020



Replace XX with the appropriate finish code
chrome = AA,

Example spare part order:
A 960 893 AA in chrome

Pos.	Description	Part-Number	Qty.	Pos.	Description	Part-Number	Qty.
1	Installation depth adjustment with clips	A 963 131 NU	1 Set	16	Low noise insert	A 960 891 NU	1 pcs
2	Depth adjustment device			17	Stop valve	A 960 706 NU	2 pcs
3	Adjustment lock (contained in pos. 1)			18	Diverter complete	A 963 443 NU	1 pcs
4	Side sealing	A 963 132 NU	1 Set	19	Screw M4x12		
5	Built-in box			20	Cartridge with pos.22	A 960 500 NU	1 pcs
6	Multi-way body			21	Cylindrical screw M4x41,7	A 963 335 NU	3 pcs
7	Plug G1/2			22	ECO-kit	A 860 700 NU	1 Set
8	O-ring Ø 17 x 2,5	A 963 143 NU	1 Set	23	Cover + clamping + O-ring	A 960 893 XX	1 pcs
9	Flushing device with Screw, washer + sealing set	A 963 146 NU	1 Set	24	Cover / Cap for diverter	A 960 894 XX	1 pcs
10	Plug with o-ring Ø 12x1,5	A 963 147 NU	1 pcs	25	Escutcheon holder compl.	A 960 895 NU	1 Set
11	Cover for built-in box			26	Escutcheon B/S curved	A 960 896 XX	1 pcs
12	Sealing fleece			27	Pull knob	A 960 897 XX	1 pcs
13	Body Single lever			28	Thread pin M5x10 DIN915	A 963 309 NU	1 pcs
14	Screw set complete	A 960 890 NU	1 Set	29	Lever compl. with Logo ISI	A 962 065 XX	1 pcs
15	Plug with o-ring			30	Extension kit 20mm	A 960 704 NU	1 Set
					Extension kit 40mm	A 962 476 NU	1 Set
				31	Distance frame 20mm	A 960 705 XX	1 pcs