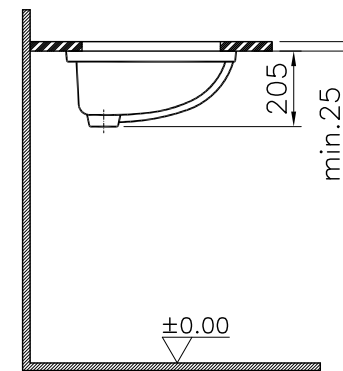
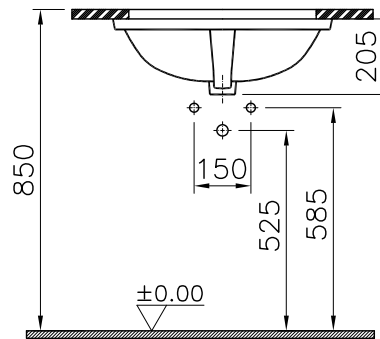
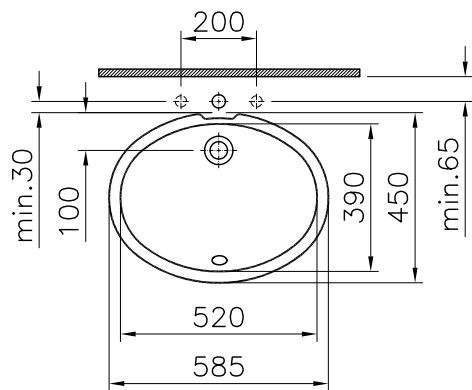


Theoretic Mass(kg)		Revision	
Surface Area(dm <sup>2</sup> )		<b>A4</b>	

Thread	Hole	Shaft



**CONTROLLED DOCUMENT  
MAINTAIN UPDATED**

04	Replaces drawing dated 28.03.2003	10.10.2009	GOKHAN
R.S	Description	Date	NAME

1	1	Undercounter basin 52 cm	6069-0012	Ceramic	
item	Quantity	Part Name	Drawing No	Material	Material Class
		Series	Material	Ceramic	Material Class
		ARKITEKT	Undercounter basin 52 cm		
Drawn By		Controlled By	Approved By	Date	Drawing No
U.AYDONER		O.KONEZ	B.TOPÇU	28.03.2003	6069
				Scale	VitrA®   ARTEMA®
				1/20	

This drawing can only be used for the intended purposes. Unauthorized copying is strictly prohibited.

